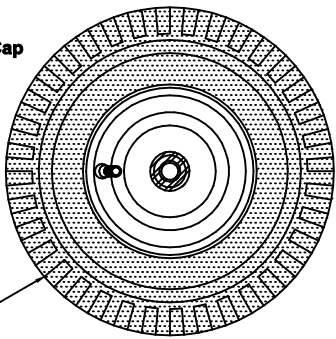


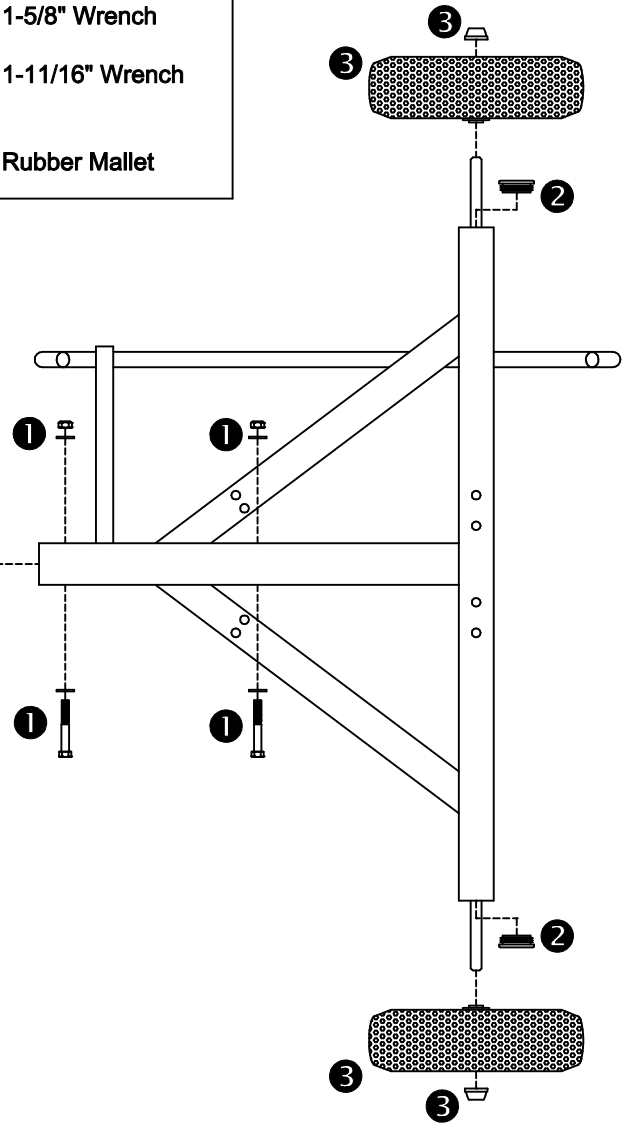
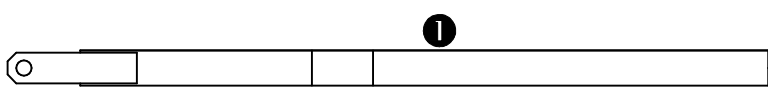
HARDWARE INCLUDED:

- (2) 2"x2" Plastic Square Tubing Cap (Factory Installed)
- (2) 5/8" Plastic Axle Cap
- (2) 7/16" x 3" Bolt
- (4) 7/16" Flat Washer
- (2) 7/16" Lock Nut
- (2) Tires



TOOLS REQUIRED:

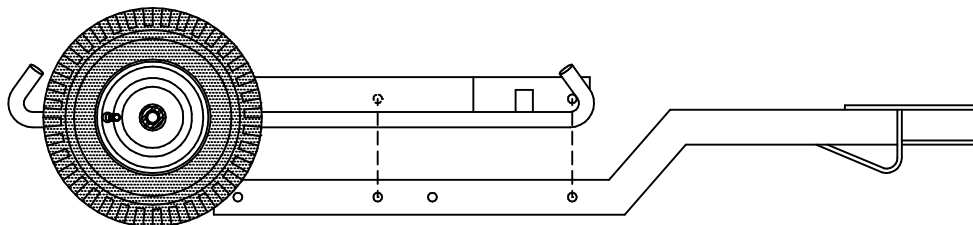
- 1-5/8" Wrench
- 1-11/16" Wrench
- Rubber Mallet



ASSEMBLY INSTRUCTIONS:

- 1** Trailer Tongue Assembly
 - a) Determine Tractor Type (A or B below)
 - b) Assemble as shown in box A or B below using (2) bolts, (4) washers and (2) lock nuts.
- 2** Square Tube Cap Assembly (Factory Installed)
 - a) Align square tubing cap to end of tube and lightly tap into place with rubber mallet
- 3** Tire Assembly
 - a) Slide tires on axle with air stem away from frame
 - b) Use rubber mallet to tap Axle cap over axle

A
For Extended Hitch Tractors



B
For Fixed or Retracted Hitch Tractors

